

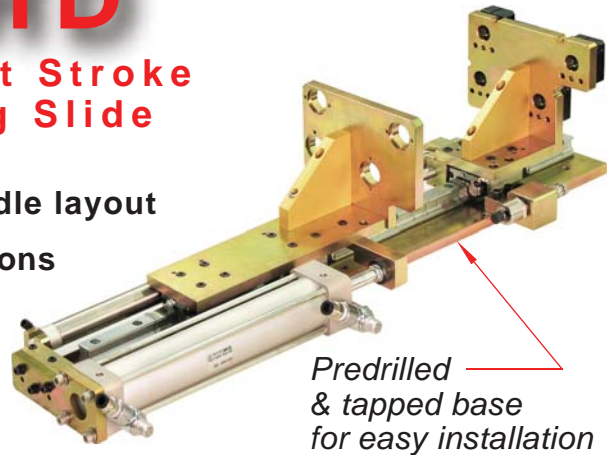
# ASSEMBLY AUTOMATION®

AUTOMATIC SCREWDRIVING SYSTEMS

## XLT-HD

Head Stroke Bit Stroke  
Screw Driving Slide

- ▶ Single or multi-spindle layout
- ▶ Multiple sensing options
  - Screw presence
  - Torque
  - Depth



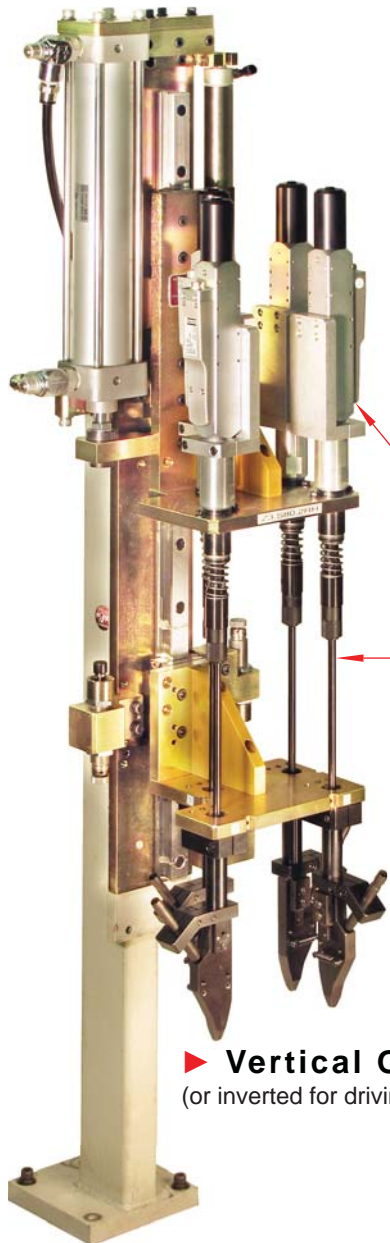
*Use with pneumatic or electric tools*

*Easy bit change & torque adjustment*

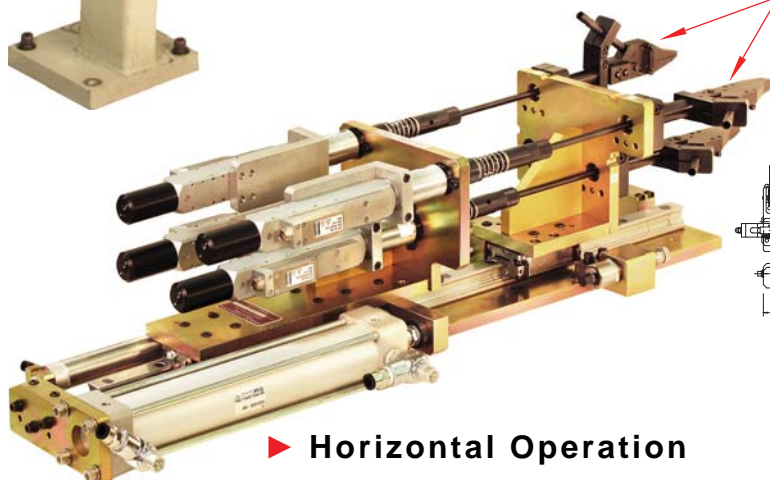
- ▶ Head stroke & bit stroke included
- ▶ Bit stroke only model available for use on robots or subslides
- ▶ Offset tooling available for close center applications
- ▶ Multiple head styles for difficult access applications

### ▶ Vertical Operation

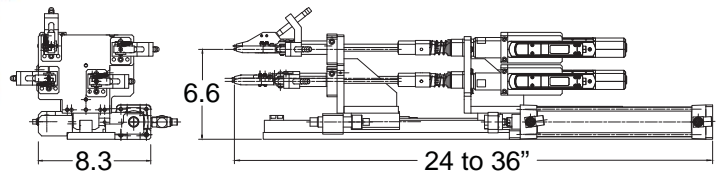
(or inverted for driving from bottom-up)



*Head tooling may be locked in any radial position*



### ▶ Horizontal Operation



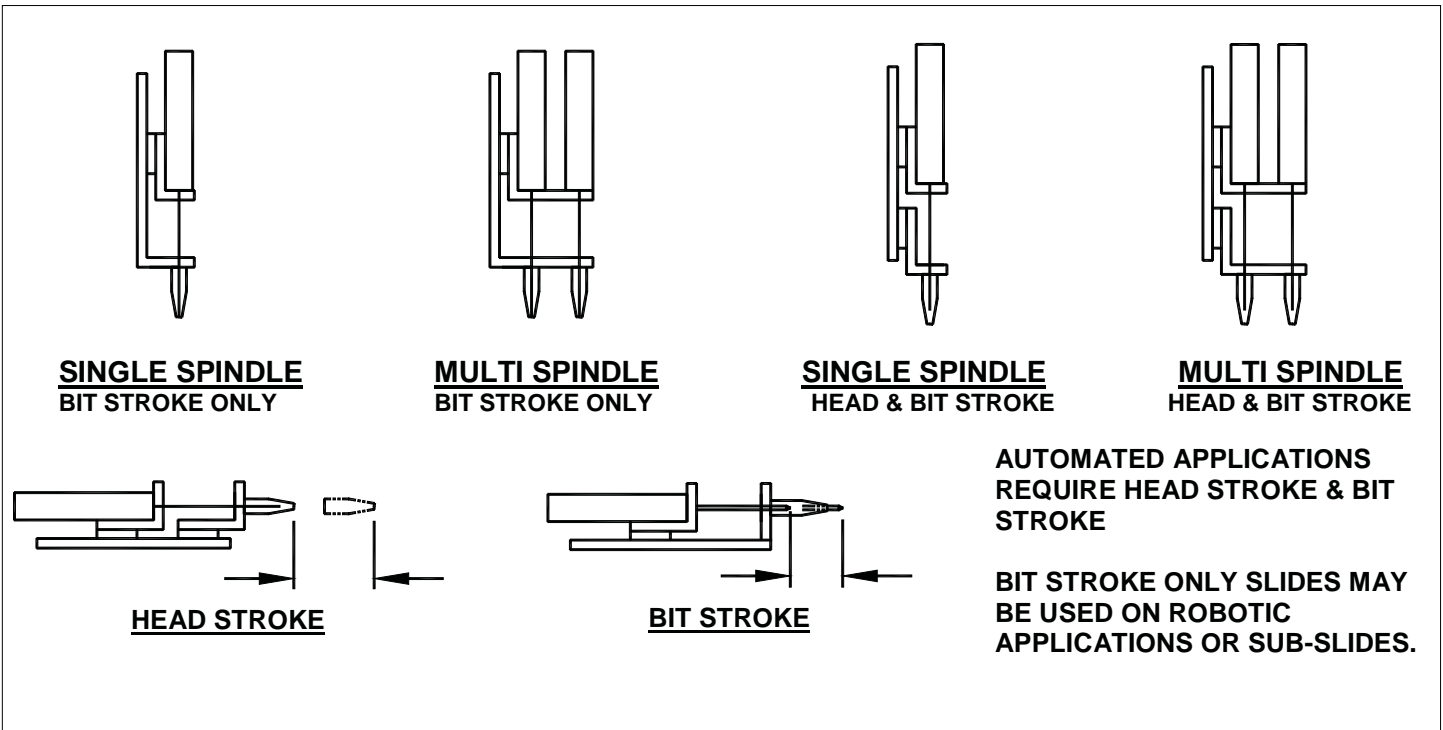
For more information & additional data,  
please email: [info@assemblyauto.com](mailto:info@assemblyauto.com)

626-303-2777

[www.assemblyauto.com](http://www.assemblyauto.com)

1849 Business Center Dr. Duarte, CA 91010

**POWER SLIDE OPTIONS**



Automatic Screwdrivers  
One company ...

many solutions

- Self-feed units
- Hand-held units
- Air or electric tools
- Torque reaction arms
- Positive screw extension
- Power assist handpieces
- Single / multi spindle components